



Omni-ID® IQ 800G

Omni-ID's windshield label tag, the IQ 800G is the perfect solution to optimize vehicle asset management operations. When attached to glass surfaces, the superior read performance of the IQ 800G assures reliability and accuracy.

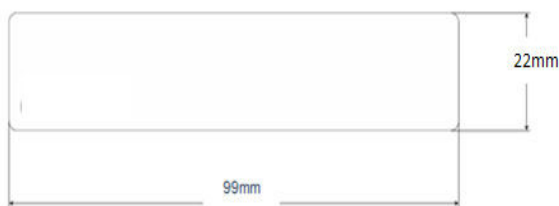
Applications

Vehicle asset management and control can take many forms:

- ▶ Road Toll Collection
- ▶ Parking Permits
- ▶ Vehicle Access Control
- ▶ Vehicle Registration

Physical Specifications

Material	Polyethylene
Size (mm) (tolerance)	99 x 22 x 0.2 +/- 0.5
Size (in) (tolerance)	3.90 x 0.87 x .008 +/- 0.02
Reel Core inner diameter	76mm or 3"
Outside roll diameter	203mm or 8"
Pitch on reel	25.4mm or 1"
Weight (g)	1

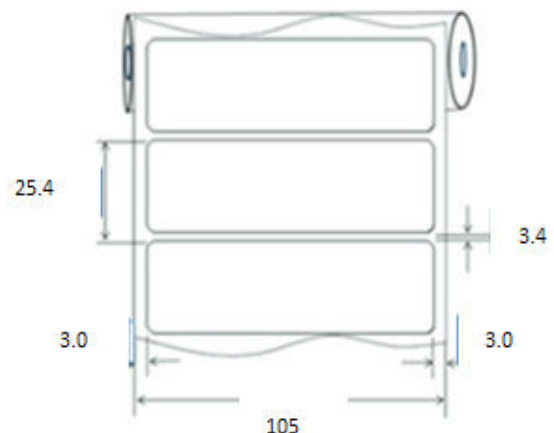


Dimensions stated in mm
Supply format = 1000 labels per roll

RF Specifications

Protocol	EPC Class 1 Gen2
Frequency Range (MHz)	860-960MHz (global)
Read Range (Fixed reader) ¹	Up to 8.0 m (26.25ft)
Read Range (Handheld reader) ¹	Up to 5.0 m (16.5ft)
Material Compatibility	Glass
IC Type (chip)	Alien Higgs3
Memory ²	EPC - 96bit User - 512bits Unique TID - 64bits

1. Quoted performance achieved using standard testing methodology. Read range will vary with reader hardware and output power.
2. EPC and User memory are reprogrammable, TID is locked at point of manufacture.



Windshield Tag - IQ 800G

Options for Personalization

- ▶ Inkjet and thermal transfer printable on one side.
- ▶ Two sided artwork is a custom option to accommodate all customer needs.
- ▶ Data Encryption.
- ▶ Human readable printing (barcodes, text, etc...).
- ▶ Delivered in reel format with the ability to be encoded.



Environmental Specifications

Storage Temperature ¹	-20° to +60°C
Operation Temperature ¹	-20° to +60°C
Survivability ¹	-20° to +60°C
Application Temperature ¹	+18 to +35°C
Attachment	Self adhesive (std)
Warranty	1 year
Certifications	RoHS approved CE approved

1. Excludes adhesive options, consult adhesive data sheets for recommended temperature ratings.
2. Testing methodology available on request

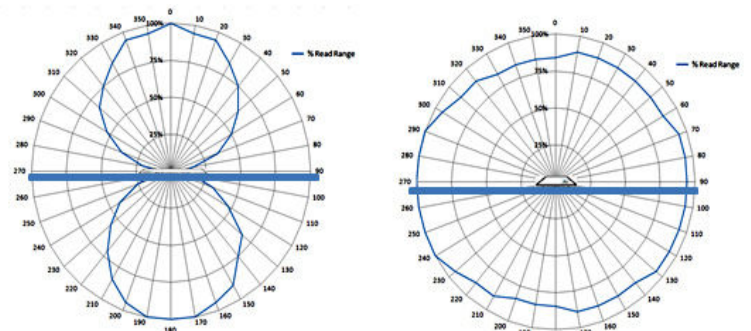
Ordering Information

Order number	121 GS :303 (Customization) :701 (Standard Service Bureau)
Print Options (Windscreen side)	Dynamic data: EPC/TID barcode Dynamic and fixed text Color/Monochrome graphics
Print Options (Driver side)	Dynamic data: EPC/TID barcode Dynamic and fixed text Color/Monochrome graphics
Supply Format	1000 Labels per roll
(MOQ) Minimum Order Quantity	50,000 pcs/ 4 rolls for printed labels only

A tamper-resistant option is available as a custom option.

Radiation Patterns

On Glass



Omni-ID office locations: US | UK | China | India | Germany
For product or technology inquiries email: sales@omni-id.com