

PUCK RHT

Active RFID Temperature and Humidity Sensor



BENEFITS

- Configurable tag identifier
- Large transmission range: up to 100 m
- Autonomy: up to 10 years
- Waterproof (IP68)



TECHNICAL SPECIFICATIONS

OPERATING MODE

Frequency	433.92 MHz
Range	Up to 100 meters open field
Feature	Alternating and periodic emission of the raw measurement of temperature and relative humidity.
Transmission period	From 220 ms to 12 h configurable
Length of the frame	12-bit identification code + 12-bit measured values (for humidity or temperature) <i>* Refer to the frames specifications for more information</i>
ID and HR code format	Transmitted code = 8XXYYY (temperature) or 9XXZZ (humidity) 8XX : identifier code for temperature 9XX: ID code for humidity YYY: temperature data (hexa) ZZZ: humidity data (hexa) Humidity and temperature data transmitted alternately, 35 ms apart.
Sensors performance	Humidity Range : 0 à 100% RH Resolution : 0.05% RH Precision : +/- 2% RH max from 20% to 80%, +/- 5% RH max from 0 to 100% Hystérésis : +/- 1% RH

Temperature

Range : -40°C à +85°C

Resolution : 0.0625°C

Precision : +/- 0.4°C max from 0°C to 60°C, +/- 1.2°C for the remaining range

Settings and configuration

By tool SCIEL PROG IR and software ERW

BATTERY

Power supply

3,6 VDC – Internal battery Li-Soci2

Battery life

Up to 10 years*

**Refer to the battery life curves for more information*

Battery level

Specific code sent at the end of the battery's life: XXX7FF
(XXX: ID code)

CERTIFICATIONS

Europe

EN 300 220 – 2012 : V2.4 .1/ EN 301 489 – 3 : 2013 V1.6.1

RoHs

Yes

HOUSING

Dimensions

Ø 57mm base - height 20 mm

Weight

41g

Materials

DELIRIN (POM C) Compatible with food products (90/128/EEC)

Waterproof grade

IP 68

Operating temperature

-40°C to +85°C

ACCESSORIES

Tag support and double-sided

PUCK HOLDER STICKER (ACIOM118B)

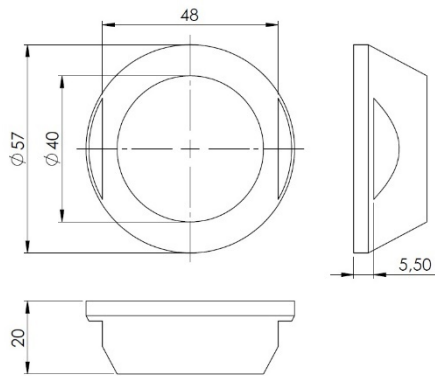
Tag support only

PUCK HOLDER (ACIOM117B)

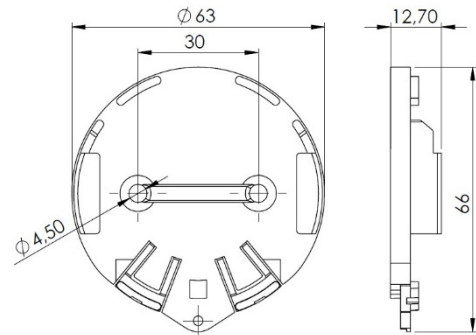
Double-sided adhesive only

PUCK STICKER (ACIOM188)

PLANS MECANQUES



PUCK RHT



PUCK HOLDER