

## PUCK ID

Active RFID tag



### BENEFITS

- Configurable tag identifier (RW)
- Long range up to 100 m
- Battery lifecycle: up to 10 years
- IP68 Waterproof



## TECHNICAL SPECIFICATIONS

### OPERATING MODE

<b>Frequency</b>	433.92 MHz
<b>Range</b>	Up to 100m (open field)
<b>Transmission period</b>	From 220ms to 12 hours
<b>Radio frame format</b>	24 bits or 32 bits
<b>Settings</b>	ID Code – Emission cycle –Activation/Deactivation
<b>Configuration</b>	By SCIEL PROG IR tool and ERW software
<b>Compatibility</b>	SCIEL Reader Family

### BATTERY

<b>Supply voltage</b>	3 VDC – Internal lithium battery
<b>Battery lifecycle</b>	Up to 10 years* <i>*Refer to battery lifecycle curves</i>
<b>Low battery alert</b>	Specific ID code for low level of battery

**CERTIFICATIONS**

<b>Europe</b>	EN 300 220 – 2012 : V2.4 .1/ EN 301 489 – 3 : 2013 V1.6.1
<b>RoHs</b>	Yes

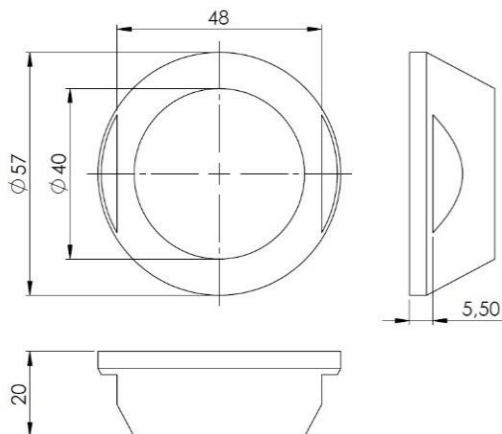
**HOUSING**

<b>Dimensions</b>	Ø 57 mm base – h : 20 mm
<b>Weight</b>	41g
<b>Materials</b>	DELTRIN (POM C) Compatible with food product (90/128/EEC)
<b>Waterproof grade</b>	IP 68
<b>Operating temperature</b>	-40°C to +85°C

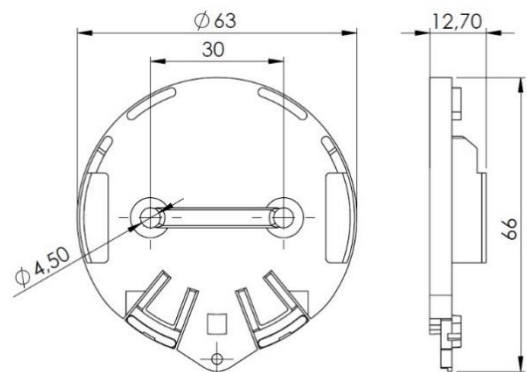
**ACCESSORIES**

<b>Tag support &amp; double sided adhesive</b>	PUCK HOLDER STICKER (ACIOM118B)
<b>Tag support only</b>	PUCK HOLDER(ACIOM117B)
<b>Double sided adhesive only</b>	PUCK STICKER (ACIOM188)

**MECHANICAL DRAWINGS**



*PUCK ID*



*PUCK HOLDER*