

## BLUE PUCK RHT



Bluetooth Low Energy Humidity & Temperature sensor

### BENEFITS

- Very high autonomy : up to 18 years
- High transmission range
- Waterproof (IP65)
- Smart & secure programming by NFC
- Over The Air Programming (OTAP)



## TECHNICAL SPECIFICATIONS

### OPERATING MODE

<b>Frequency</b>	2,4 GHz - Bluetooth Low Energy 4.0/4.2
<b>Output power</b>	Up to +4 dBm (configurable)
<b>Range</b>	Up to 500 meters open field (+4dBm)
<b>Transmission period</b>	Advertising period (0,1 sec to 10 sec – configurable in seconds)
<b>Radio frame format</b>	Identifier : 15 characters max (15 bytes)* Temperature (0.01°C) (2 bytes)* Humidity (%) (1 byte)* <i>*Refer to the frames specifications for more information</i>
<b>Settings and configuration</b>	Interface/protocol: NFC (Type 2)
<b>Connected mode</b>	Datalogger transmission (record of saved sensor data) Battery level command
<b>Advertising mode</b>	Periodic temperature and humidity data transmission

### Sensors performance

	Temperature	Humidity
<b>Range</b>	-40 to 85 °C	0% to 100%
<b>Resolution</b>	0.01 °C	0.01 %
<b>Accuracy</b>	±0,4 °C maximum	±2,5 % max (0% to 90%) ±3,5 % max (90% to 100%)

## BATTERY

<b>Power supply</b>	3 VDC - Internal lithium battery
<b>Battery life</b>	<b>Up to 18 years*</b> <i>* Refer to the battery life curves for more information</i>
<b>Battery level</b>	Low battery warning in advertising frames (<15%) Battery voltage in scan response frames (configurable)

## CERTIFICATIONS

<b>Europe</b>	CE : EN 300 328/ EN 301 489 & EN 55032 / EN 62368-1
<b>USA</b>	FCC : FCC 15
<b>Canada</b>	ISED : RSS-247 / ICES-003
<b>RoHS</b>	Yes

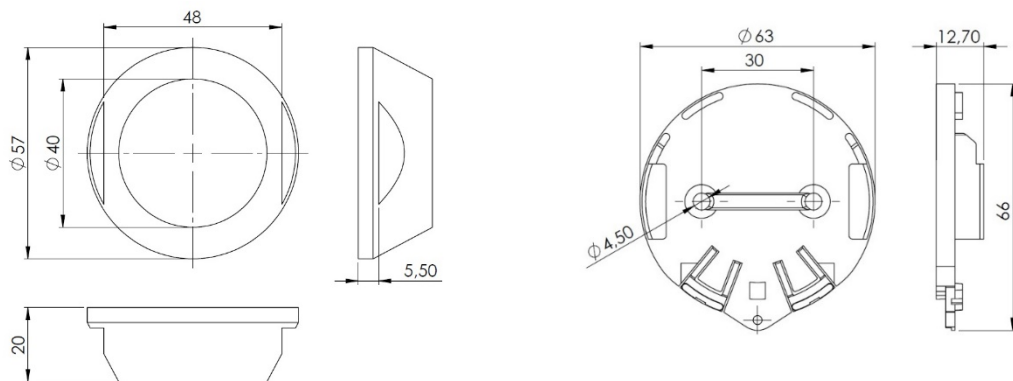
## HOUSING

<b>Dimensions</b>	Ø 57 mm base - Height 20 mm
<b>Weight</b>	41g
<b>Materials</b>	DELTRIN (POM C) Compatible with food products (90/128/EEC)
<b>Waterproof grade</b>	IP 65
<b>Operating temperature</b>	-40°C to +85°C

## ACCESSORIES

<b>Tag support</b>	PUCK HOLDER STICKER (ACIOM118B) PUCK HOLDER (ACIOM117B) PUCK STICKER (ACIOM188) 3M PT1100 - Ø 53mm - Height: 1,1mm
--------------------	---

## MECHANICAL DRAWINGS



**BLUE PUCK RHT**

**PUCK HOLDER**