

BLUE PUCK MAG

Bluetooth Low Energy magnetic sensor



BENEFITS

- Integrated Hall effect magnetic sensor
- Very high autonomy : up to 14.5 years
- High transmission range
- Waterproof (IP 68)
- Smart & secure programming by NFC
- Over The Air Programming (OTAP)



TECHNICAL SPECIFICATIONS

OPERATING MODE

Frequency	2,4 GHz - Bluetooth Low Energy 4.0/4.2
Output power	Up to +4 dBm (configurable)
Range	Up to 500 meters open field (+4dBm)
Transmission period	Advertising period (0,1 sec to 10 sec – configurable in seconds)
Radio frame format	Identifier : 15 characters max (15 bytes)* Magnetic event counter: Total number of magnetic events detected (15 bits)* Magnetic instantaneous state (1 bit)* <i>*Refer to the frames specifications for more information</i>
Settings and configuration	Interface/protocol: NFC (Type 2)
Connected mode	Datalogger transmission (record of saved sensor data) Battery level command
Advertising mode	Periodic counter and state data transmission. Immediate transmission on change of sensor state.
Sensors performance	Hall effect sensor range: 2cm typ. (on the side of the "arrow" symbol) Magnetic event detector: Immediate transmission upon change of sensor state

BATTERY

Power supply	3 VDC - Internal lithium battery
Battery life	Up to 14.5 years* <i>* Refer to the battery life curves for more information</i>
Battery level	Low battery warning in advertising frames (<15%) Battery voltage in scan response frames (configurable)

CERTIFICATIONS

Europe	CE : EN 300 328/ EN 301 489 & EN 55032 / EN 62368-1
USA	FCC : FCC 15.247 / FCC PT 15B
Canada	ISED : RSS-247 / ICES-003
RoHS	Yes

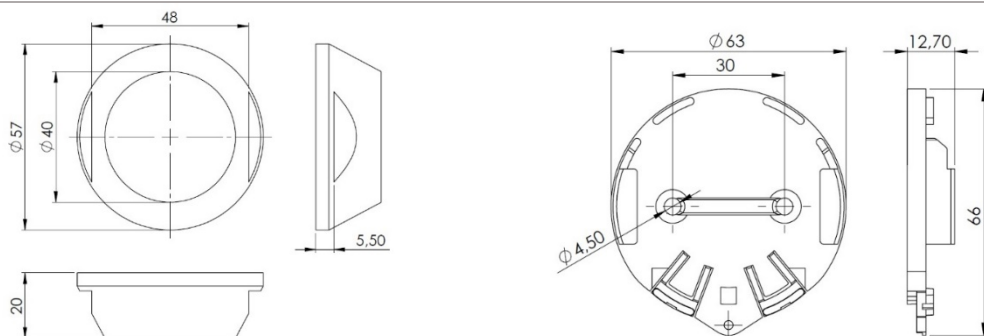
HOUSING

Dimensions	Ø 57 mm base - Height 20 mm
Weight	41g
Materials	DELTRIN (POM C) Compatible with food products (90/128/EEC)
Waterproof grade	IP 68
Operating temperature	-40°C to +85°C

ACCESSORIES

Tag support	PUCK HOLDER STICKER (ACIOM118B) PUCK HOLDER (ACIOM117B) PUCK STICKER (ACIOM188) 3M PT1100 - Ø 53mm - Height : 1,1mm
--------------------	--

MECANICAL DRAWINGS



BLUE PUCK MAG

PUCK HOLDER