

BLUE COIN MAG

Bluetooth Low Energy Magnetic sensor



BENEFITS

- Integrated Hall effect magnetic sensor
- High autonomy : upto 4 years
- Waterproof (IP68)
- Smart & secure programming by NFC
- Over The Air Programming (OTAP)



TECHNICAL SPECIFICATIONS

OPERATING MODE

| | |
|-----------------------------------|---|
| Frequency | 2.4 GHz - Bluetooth Low Energy 4.0/4.2 |
| Output power | Up to +4 dBm (configurable) |
| Range | Up to 200 meters in open field (+4dBm) |
| Transmission period | Advertising period (0,1 sec to 10 sec – configurable) |
| Radio frame format | Identifier (15 characters max.) (2 bytes)* Magnetic event counter: Total number of magnetic events detected (15 bits)* Magnetic instantaneous state (1 bit)* <i>*Refer to the frames specifications for more information</i> |
| Settings and configuration | Interface/protocole : NFC (Type 2) |
| Connected mode | Datalogger transmission (record of saved sensor data) Battery level command |
| Advertising mode | Periodic sensor data transmission. Immediate transmission on change of sensor state. |
| Sensor performance | Hall effect sensor range: 2cm typ.(on the side of the "arrow" symbol) Magnetic event detector: Immediate transmission upon change of sensor state |

BATTERY

| | |
|----------------------|--|
| Power supply | 3 VDC - Internal lithium battery |
| Battery life | Up to 4 years* <i>*Refer to the battery life curves for more information.</i> |
| Battery level | Low battery warning in advertising frames (<15%) Battery voltage in scan response frames (configurable) |

CERTIFICATIONS

| | |
|---------------|--|
| Europe | CE : EN 300 328/EN 300 330, EN 301 489, EN 62311, EN 62368 |
| USA | FCC : FCC PART 15 |
| Canada | ISED : RSS-247/ICES-003 |
| RoHS | Yes |

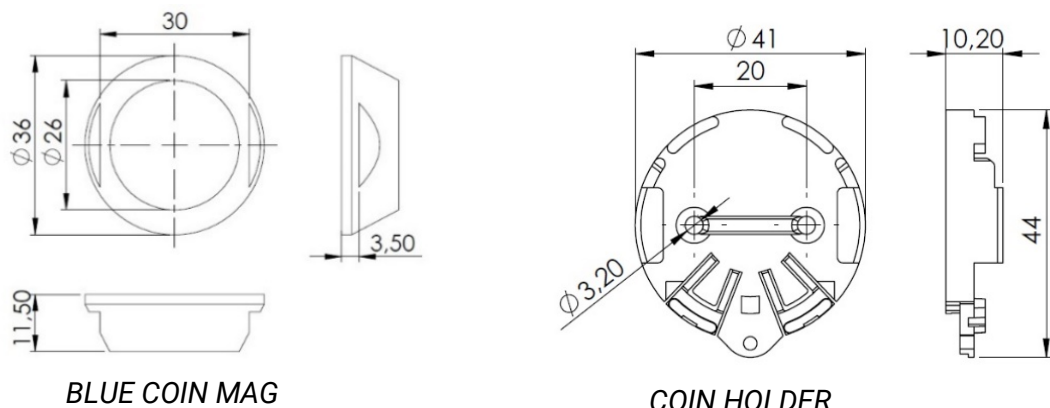
HOUSING

| | |
|------------------------------|---|
| Dimensions | Ø 36mm base - Height 11,5mm |
| Weight | 13g |
| Materials | DELRIN (POM C) Compatible with food products (90/128/EEC) |
| Waterproof grade | IP 68 |
| Operating temperature | -30°C to +70°C |

ACCESSORIES

| | |
|--------------------|---|
| Tag support | COIN HOLDER STICKER (ACIOM92C) COIN HOLDER (ACIOM91) COIN STICKER (ACIOM187) 3M PT1100 - Ø 34mm – Thickness: 1,1mm |
|--------------------|---|

MECHANICAL DRAWINGS



Specifications may be modified without any notification. Non-contractual document.
www.elainnovation.com Copyright © 2020 ELA Innovation – FP Blue COIN MAG 07B EN