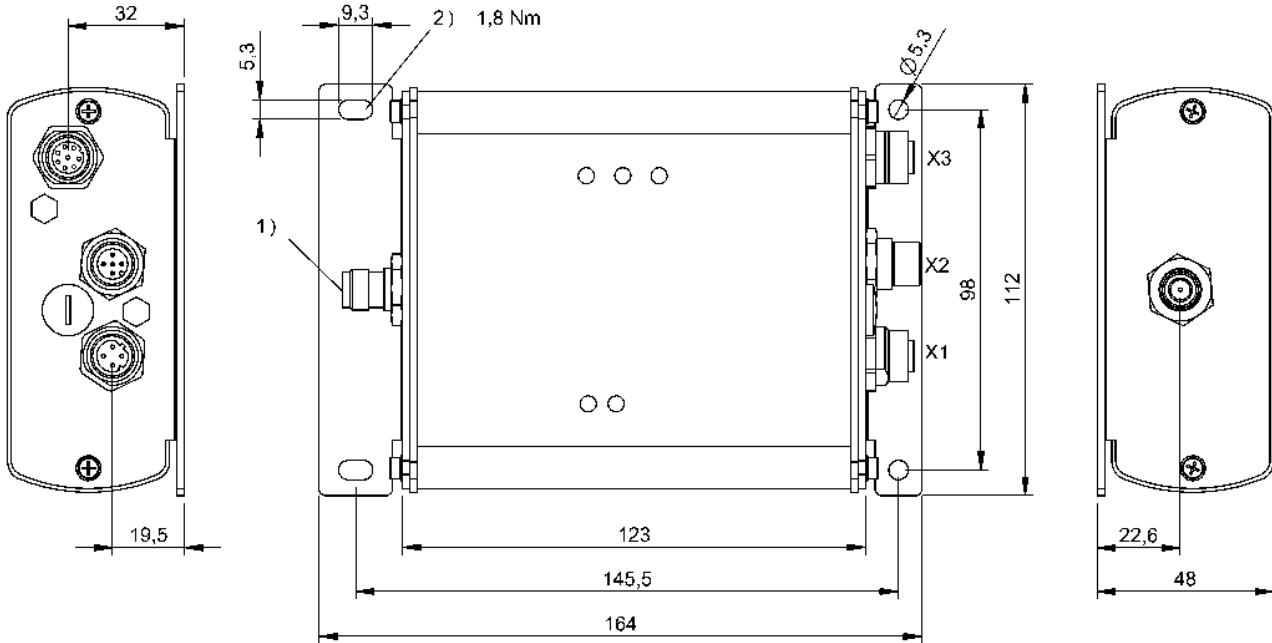


BIS U-626-069-101-06-ST32
BIS00Z0



1) Antenna



Display/Operation

(BB) Ready	LED green
Custom	LED yellow
Default	LED yellow
RF	LED yellow

Electrical connection

Connection (COM 1)	X1 (Ethernet): M12x1-Female, 4-pole, D-coded
Connection (supply voltage IN)	X2: M12x1-Connector, 5-pole
Connection slots	X3 (IN/OUT): M12x1-Female, 8-pole

Electrical data

Antenna impedance	50 Ohm
Control input	1 (optocoupler isolated)
Control output	2 (optocoupler isolated)
Current consumption max. at 24 V DC	1 A
EN 61000-4-2/3/4/5/6	Severity level 2A/2A/3B/-/-
Input current max. at 24 V	28 mA
Multi-tag capable	yes

Operating voltage U_b	12...30 VDC
Output current max.	500 mA 500 mA (ext. supply) 300 mA (int. supply)
Output power adjustable	max. 27 dBm (500 mW)
Supply voltage, output V_s	6...30 VDC
Voltage control	6...30 VDC

Environmental conditions

Ambient temperature	-20...50 °C
EN 60068-2-27, Continuous shock load	yes
EN 60068-2-27, Shock	yes
EN 60068-2-6, Vibration	yes
Protection type IEC 60529	IP65 with connector
Storage temperature	-20...70 °C

Functional safety

EN 60068-2-32 Free fall	yes
-------------------------	-----

General data

Approval/Conformity	ETSI EN 302 208 CE
EN 55022	Size 1, Cl. A

BIS U-626-069-101-06-ST32 BIS00Z0

Standards EPCglobal™ Class 1, Gen 2
ISO 18000-6C

Range/Distance

Residual ripple max. 10 %

Material

Housing material Aluminum

Remarks

Values are under rated conditions unless otherwise specified.
Use permitted only in EU member countries.
When installing, the technical standards and regulations of the corresponding countries must be observed.

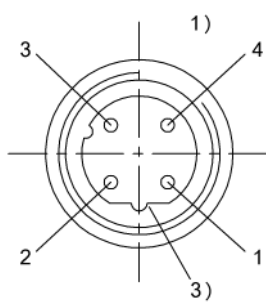
Mechanical data

Application weight 560.00 g
Dimension 112 x 48 x 164 mm

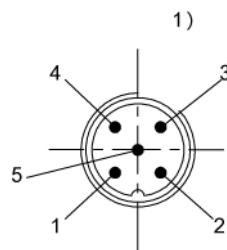
Output/Interface

Interface Industrial Ethernet/Ethernet
TCP/IP/MODBUS TCP

Connector view



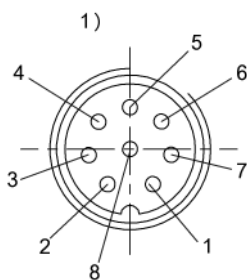
X1
2)
1 — TX+
2 — RX+
3 — TX-
4 — RX-



X2
2)
1 — n.c.
2 — VDC
3 — GND
4 — n.c.
5 — n.c.

1) View towards connector 2) n Female 4-pin/
Function 3) Coding D

1) View towards connector 2) Connector 5-pin/
Function



X3
2)
1 — VDC
2 — GND
3 — O1+
4 — O1-
5 — O2+
6 — O2-
7 — I1A
8 — I1B

1) View towards connector 2) Socket 8-pin/
Function