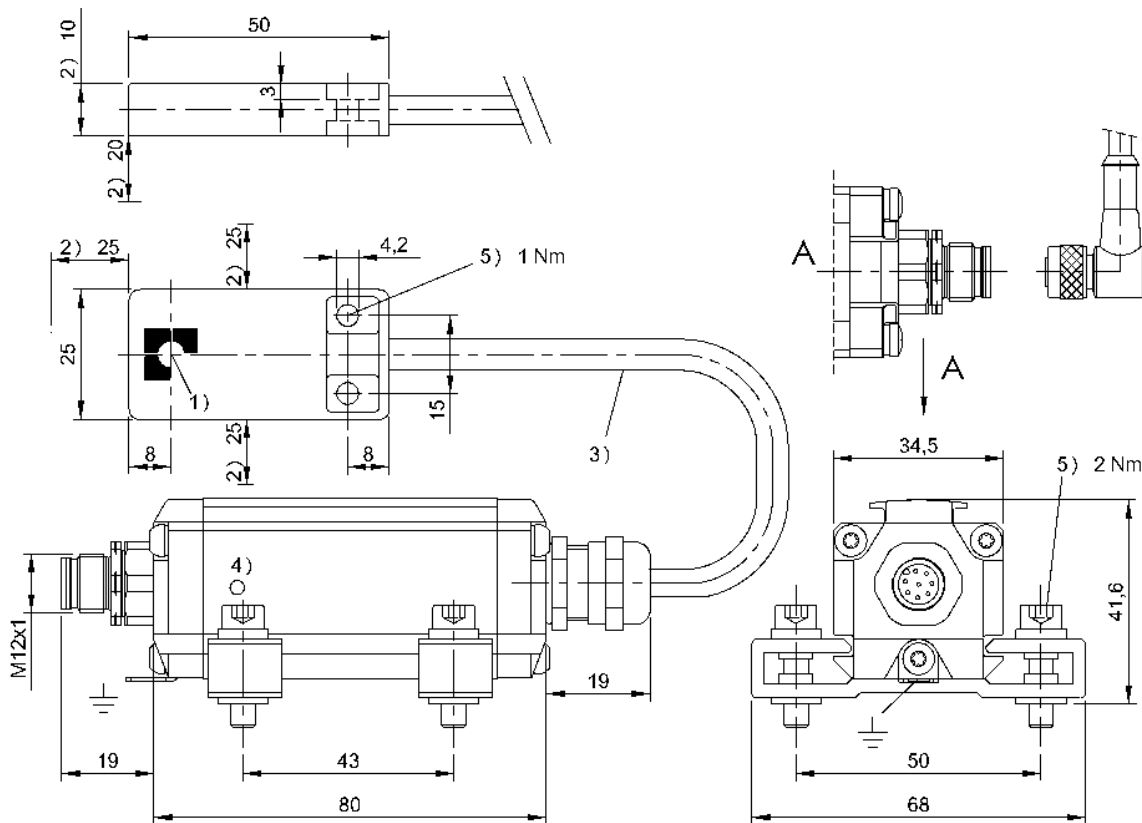


BIS M-402-007-004-00-S115 BIS00RU



1) Sensing surface 2) Clear zone 3) Cable length see text 4) LED function indicator 5) Tightening torque



Display/Operation

Function indicator	LED yellow TP (Tag Present) LED green Power (ON)
--------------------	---

Electrical connection

Bending radius min., fixed cable	5 x D
Bending radius min., flexible cable	10 x D
Cable diameter D	5.40 mm
Cable length	0.5 m, Drag chain compatible
Cable, bending cycles min.	2 million
Connection	(RS232/TP OUT): M12x1-Connector, 8-pole
Connection type	Connector, 0.50 m, PU

Electrical data

Current consumption max. at 24 V DC	50 mA
EN 300330-1	Power Class 5
Operating voltage U_b	19.2...26.4 VDC
Output current max.	200 mA

Environmental conditions

Ambient temperature	0...70 °C
Cable temperature, drag chain	-25...60 °C
Cable temperature, fixed routing	-50...80 °C
EN 60068-2-27, Continuous shock load	yes
EN 60068-2-27, Shock	yes
EN 60068-2-6, Vibration	yes
Protection type IEC 60529	IP67
Storage temperature	-20...85 °C

Functional safety

EN 60068-2-32 Free fall	yes
-------------------------	-----

General data

Antenna type	round
Approval/Conformity	UL-FILE E227256, Vol.X1, BIS CE

Material

Housing material	ABS, GF16
Material jacket	PU

BIS M-402-007-004-00-S115 BIS00RU

Mechanical data

Application weight	238.00 g
Dimension	25 x 10 x 50 mm
Installation	with clear zone (in steel)

Output/Interface

Interface	RS232
-----------	-------

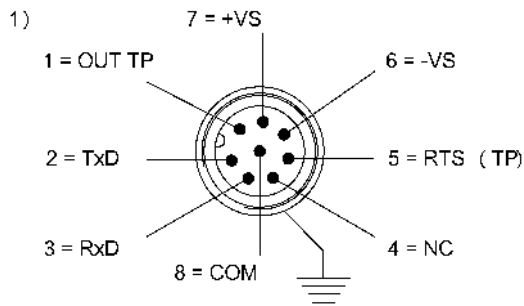
Range/Distance

Residual ripple max.	included
----------------------	----------

Remarks

Use included fastening clamps for installation.
* Connection RTS (TP) enables TP display in program BISCOMRW.EXE.
OUT TP switches to +24V when there is a data carrier in the zone.
Order accessories separately.
Values are under rated conditions unless otherwise specified.
For installation in metal: Observe clear zone.
For basic equipment: Accessories see www.balluff.com

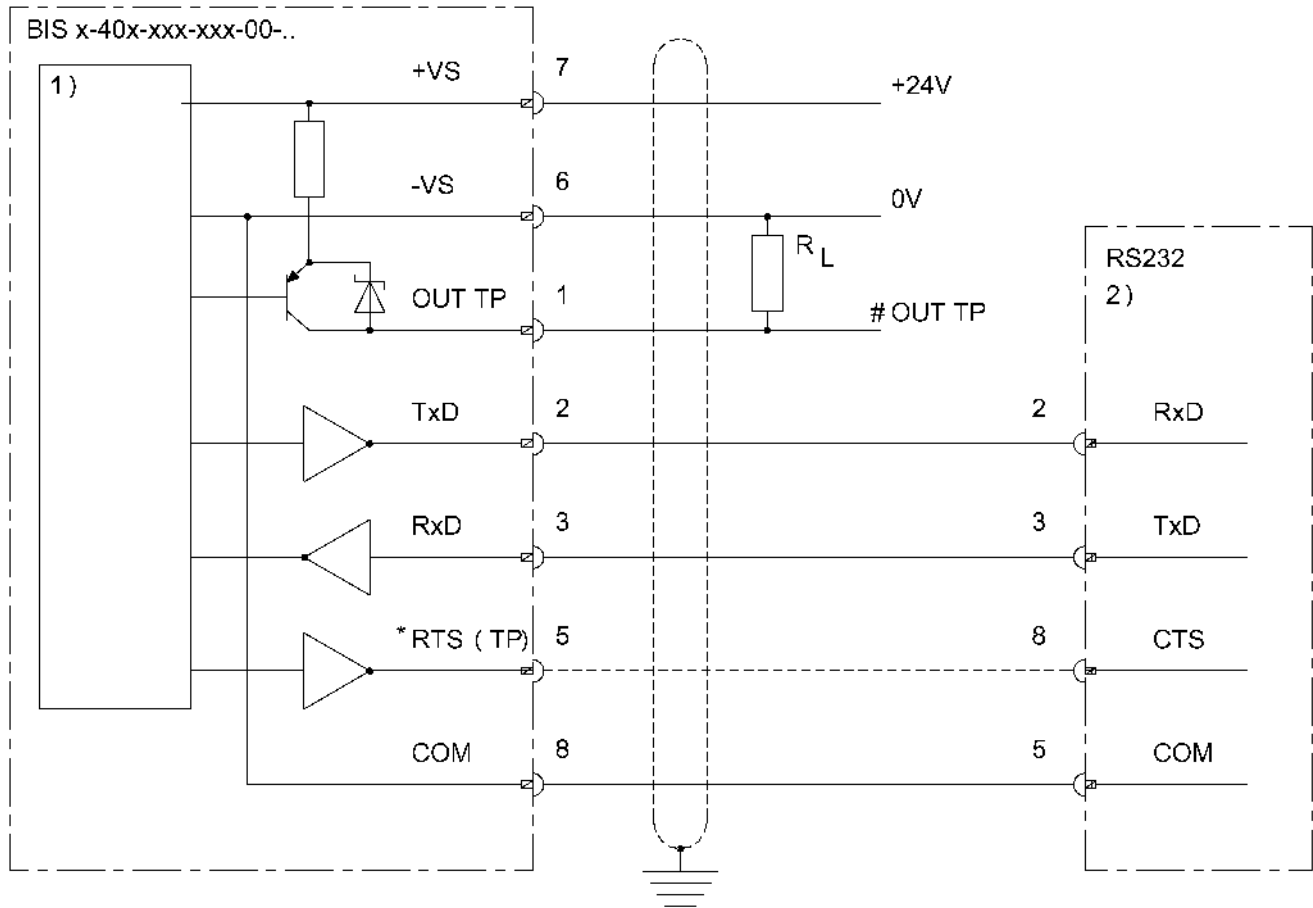
Connector view



1) View towards connector

BIS M-402-007-004-00-S115
BIS00RU

Wiring Diagram



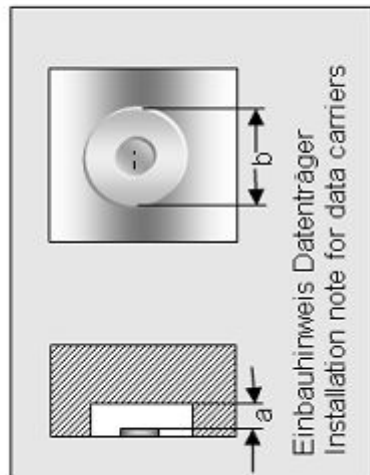
1) Internal circuit 2) 9-pin connection

Additional View

BIS M-402-007-004-00-S115
BIS00RU

BIS M-402-xxx-004-

	BIS M-105-01/A	BIS M-105-02/A	BIS M-110-02/L	BIS M-122-01/A	BIS M-122-02/A
passende Datenträger appropriate data carriers					
Abstand Datenträger zu Metall in mm (a) data carrier distance to metal in mm	>10 >0	>10 >0	>25 >0	>10 >0	>10 >0
Freizone Datenträger in mm (b) data carrier clear zone in mm	>60 >0	>60 >0	>80 >0	>60 >0	>60 >0
Freizeitsabstand in mm write distance in mm	0-6 0-4	0-8 0-6	0-15	0-5 0-4	0-8 0-5
Leiterschleifabstand in mm lead distance in mm	0-6 0-4	0-8 0-6	0-15	0-5 0-4	0-8 0-5
Einbaulänge in mm insert length in mm	0 ±4 ±3	0-8 ±5 ±4	0-15 ±8 ±8	0-5 ±4 ±3	0-8 ±4 ±4
Einbaufreie Zone in mm insert free zone in mm	5 ±2	±5 ±2	±8 ±6	±2	±4 ±2
Einbaufreier Abstand von insert free distance	9		±6		
Einbaufreier Versatz in mm insert offset distance	12		±4		
	15		±4		
	16		±4		
	18				
	20				
	22				
	25				
	30				
	32				
	35				
	40				
	43				
	45				
	50				
	52				
	60				
	65				
	70				



BIS M-402-007-004-00-S115
BIS00RU