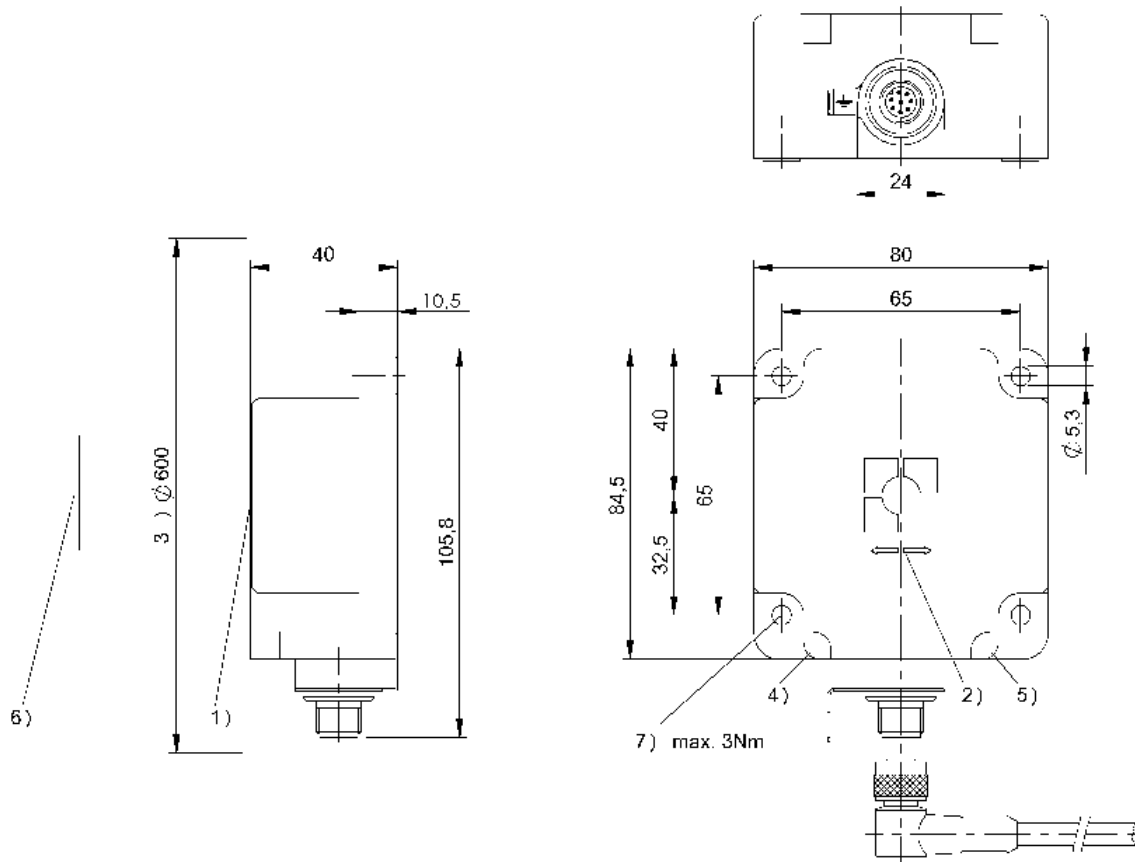


BIS M-451-007-001-00-S115
BIS00ER



1) Sensing surface 2) Read/write axis 3) Clear zone 4) LED (Power) 5) LED (TP) 6) Data carrier on steel 7) Tightening torque



Display/Operation

Function indicator	LED yellow TP (Tag Present) LED green Power (ON)
--------------------	---

Electrical connection

Connection	(RS232/TP OUT): M12x1-Connector, 8-pole
------------	---

Electrical data

Current consumption max. at 24 V DC	50 mA
EN 300330-1	Power Class 5
Operating voltage U_b	19.2...26.4 VDC
Output current max.	200 mA

Environmental conditions

Ambient temperature	0...70 °C
EN 60068-2-27, Continuous shock load	yes
EN 60068-2-27, Shock	yes
EN 60068-2-6, Vibration	yes

Protection type IEC 60529	IP67
Storage temperature	-20...85 °C

Functional safety

EN 60068-2-32 Free fall	yes
-------------------------	-----

General data

Antenna type	Rod
Approval/Conformity	UL-FILE E227256, Vol.X1, BIS CE

Material

Housing material	PBT
------------------	-----

Mechanical data

Application weight	380.00 g
Dimension	80 x 40 x 84.5 mm
Installation	with clear zone (in steel)

BIS M-451-007-001-00-S115 BIS00ER

Output/Interface

Interface	RS232
Output TP	PNP

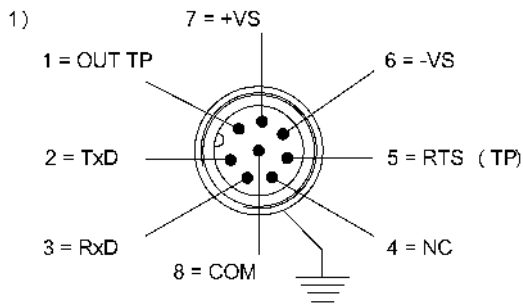
Range/Distance

Residual ripple max.	included
----------------------	----------

Remarks

Order code for female with 5m cable: BKS-S116-PU-05
 For basic equipment order female with cable.
 * Connection RTS (TP) enables TP display in program BISCOMRW.EXE.
 # OUT TP switches to +24V when there is a data carrier in the zone.
 Only for data carriers acc. to ISO 15693.
 Values are under rated conditions unless otherwise specified.
 For installation in metal: Observe clear zone.

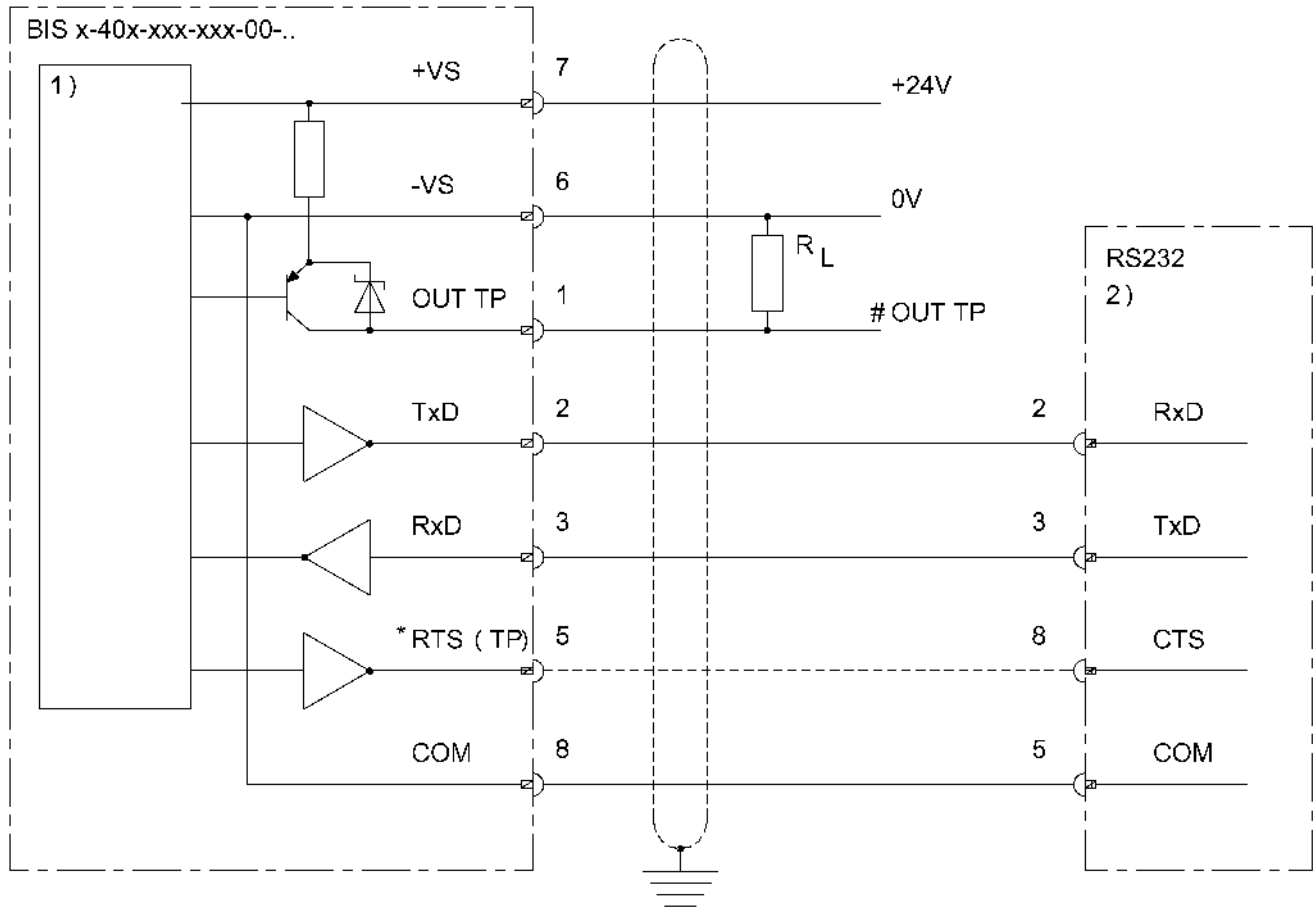
Connector view



1) View towards connector

BIS M-451-007-001-00-S115
BIS00ER

Wiring Diagram

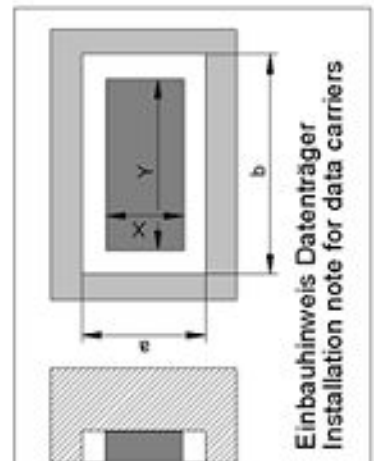


1) Internal circuit 2) 9-pin connection

Additional View

BIS M-451-

	BIS M-150-02/A	BIS M-151-02/A	BIS M-150-02/A	BIS M-151-02/A
passende Datenträger				
Appropriate data carriers				
Freizone Datenträger in mm (a)				
Data carrier clear zone in mm	>200	>200	>200	>200
Freizone Datenträger in mm (b)				
Data carrier clear zone in mm	>200	>200	>200	>200
Datenträger Metall-Montagefläche 40x22				
Data carrier metal mounting surface 40x22	0-52	0-52	0-52	0-52
Datenträger Metall-Montagefläche ≥ 200x200				
Data carrier metal mounting surface ≥ 200x200	0-52	0-52	0-65	0-65
Schreibabstand in mm				
Write distance in mm	0-52	0-52	0-65	0-65
Leseabstand in mm				
Read distance in mm	0-52	0-52	0-65	0-65
Versatz in mm				
bei Abstand von	X	Y	X	Y
	0 ±60	±25	±65	±26
	5 ±60	±25	±65	±26
	12 ±60	±25	±65	±25
	15 ±60	±25	±65	±25
	18 ±60	±25	±65	±25
	20 ±60	±25	±65	±25
	22 ±60	±25	±65	±25
	25 ±60	±25	±65	±25
	30 ±60	±25	±65	±25
	32 ±50	±25	±65	±25
	35 ±50	±25	±65	±25
	40 ±50	±20	±50	±25
	45 ±25	±20	±50	±25
	50 ±25	±20	±50	±25
	52 ±25	±8	±25	±25
	60		±25	±10
	65		±25	±10



BIS M-451-007-001-00-S115
BIS00ER