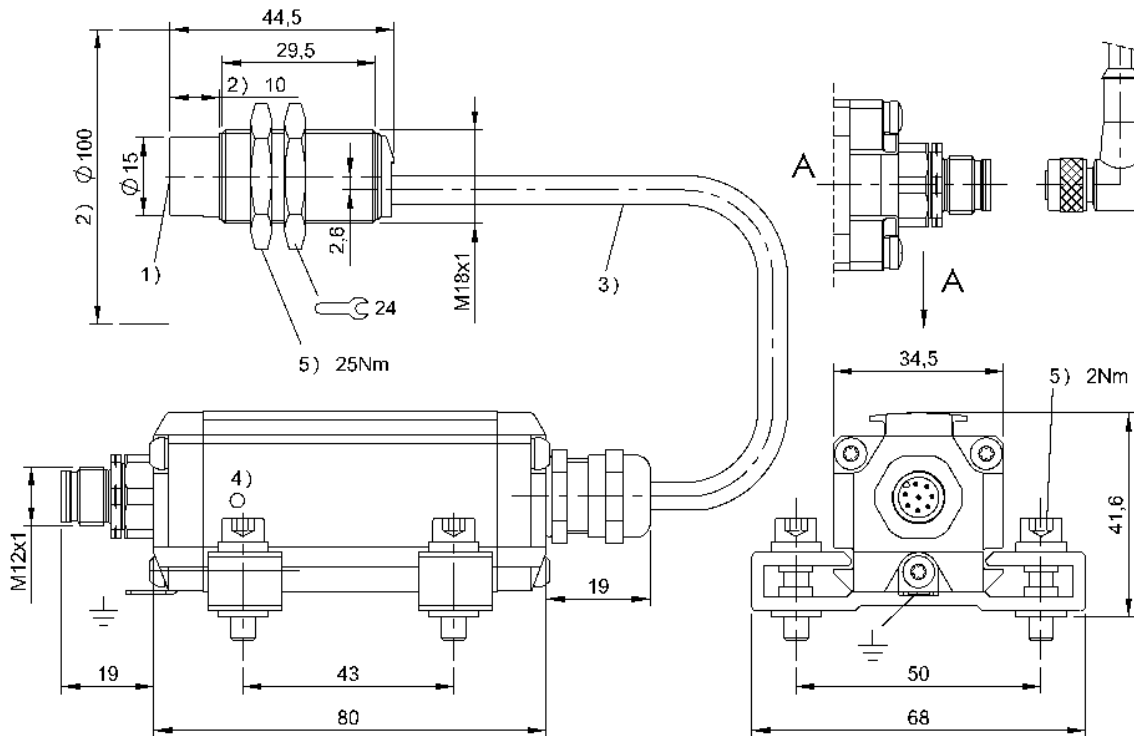


BIS M-402-007-002-00-S115
BIS00EN



1) Sensing surface 2) Clear zone 3) Cable length 4) LED function indicator 5) Tightening torque



Display/Operation

Function indicator	LED yellow TP (Tag Present) LED green Power (ON)
--------------------	---

Electrical connection

Bending radius min., fixed cable	5 x D
Bending radius min., flexible cable	10 x D
Cable diameter D	5.40 mm
Cable length	0.5 m, Drag chain compatible
Cable, bending cycles min.	2 million
Connection	(RS232/TP OUT): M12x1-Connector, 8-pole
Connection type	Connector, 0.50 m, PU

Electrical data

Current consumption max. at 24 V DC	50 mA
EN 300330-1	Power Class 5
Operating voltage U_b	19.2...26.4 VDC
Output current max.	200 mA

Environmental conditions

Ambient temperature	0...70 °C
Cable temperatur, drag chain	-25...60 °C
Cable temperature, fixed routing	-50...80 °C
EN 60068-2-27, Continuous shock load	yes
EN 60068-2-27, Shock	yes
EN 60068-2-6, Vibration	yes
Protection type IEC 60529	IP67
Storage temperature	-20...85 °C

Functional safety

EN 60068-2-32 Free fall	yes
-------------------------	-----

General data

Antenna type	round
Approval/Conformity	UL-FILE E227256, Vol.X1, BIS CE

Material

Housing material	Brass, Interface aluminum
Housing material, surface protection	nickel plates

BIS M-402-007-002-00-S115 BIS00EN

Material jacket PU

Mechanical data

Application weight 220.00 g
 Dimension Ø 18 x 44.5 mm
 Installation with clear zone (in steel)
 Size M18x1

Output/Interface

Interface RS232
 Output TP PNP

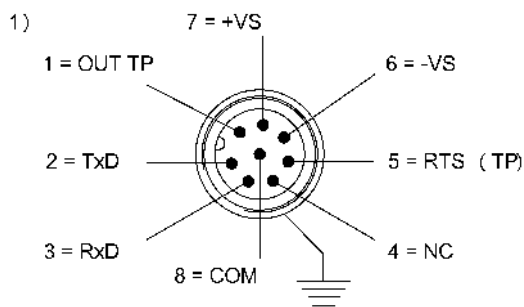
Range/Distance

Residual ripple max. included

Remarks

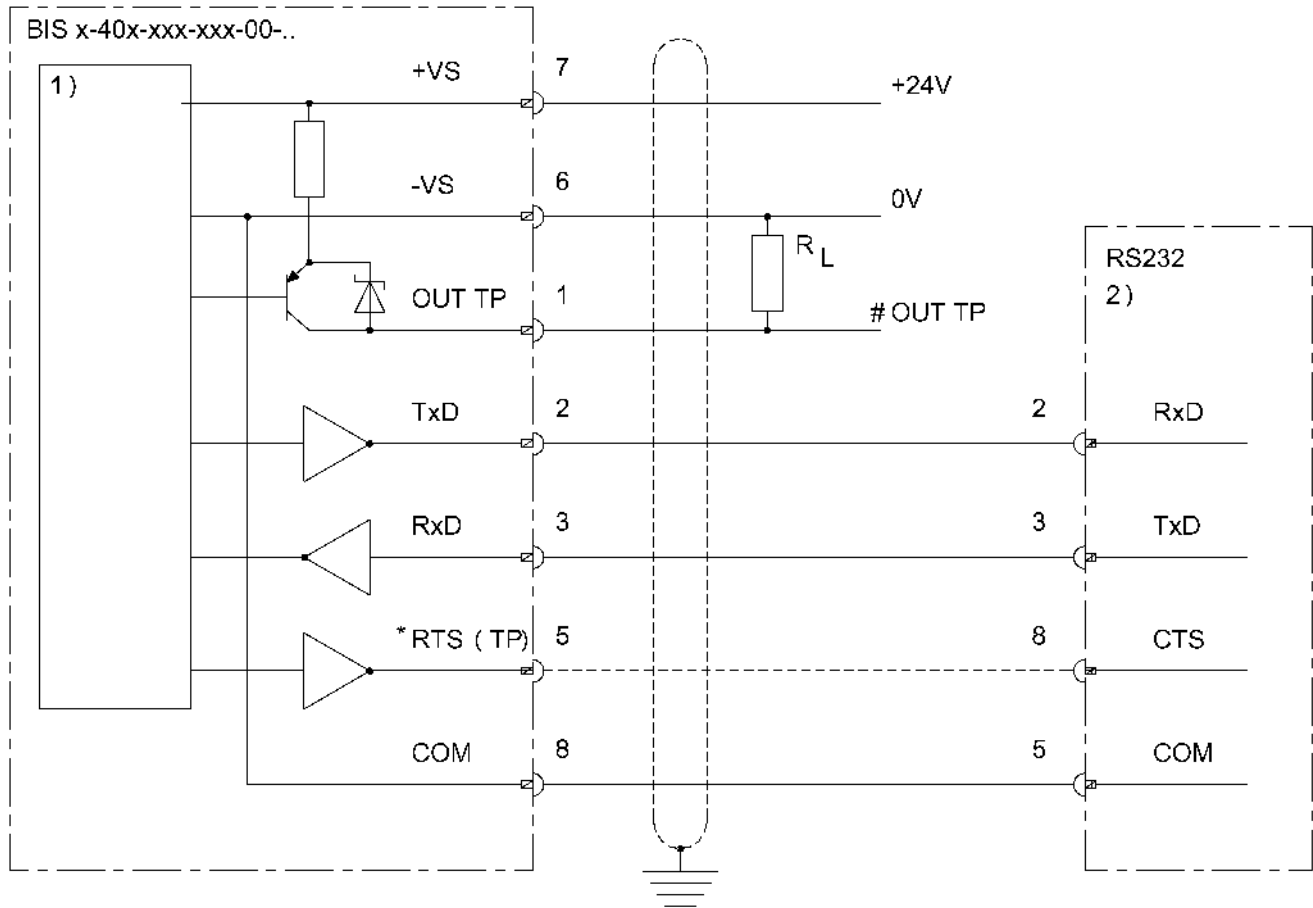
Order code for female with 5m cable: BKS-S116-PU-05
 For basic equipment order female with cable.
 * Connection RTS (TP) enables TP display in program BISCOMRW.EXE.
 # OUT TP switches to +24V when there is a data carrier in the zone.
 Use included nuts and fastening clamps for installation.
 Values are under rated conditions unless otherwise specified.
 For installation in metal: Observe clear zone.

Connector view



BIS M-402-007-002-00-S115
BIS00EN

Wiring Diagram



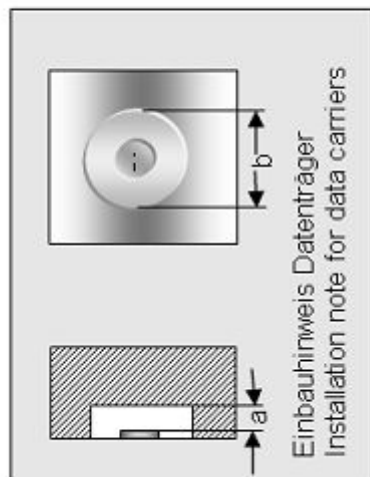
1) Internal circuit 2) 9-pin connection

BIS M-402-007-002-00-S115
BIS00EN

Additional View

BIS M-402-xxx-002-

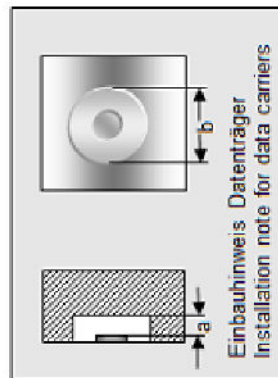
	BIS M-105-01/A	BIS M-105-02/A	BIS M-122-01/A	BIS M-122-02/A	BIS M-110-02/L
Abstand Datenträger appropriate data carriers					
Abstand Datenträger zu Metall in mm (a) data carrier distance to metal in mm	>10	>10	>10	>10	>25
Freizeone Datenträger in mm (b) data carrier clear zone in mm	>60	>60	>60	>60	>80
Abstand Datenträger appropriate data carriers					
Abstand Datenträger zu Metall in mm (a) data carrier distance to metal in mm	0-6	0-8	0-5	0-8	0-15
Freizeone Datenträger in mm (b) data carrier clear zone in mm	0-6	0-8	0-5	0-8	0-15
Abstand Datenträger appropriate data carriers					
Abstand Datenträger zu Metall in mm (a) data carrier distance to metal in mm	0	±4	0-5	0-8	0-15
Freizeone Datenträger in mm (b) data carrier clear zone in mm	±3	±3	±3	±4	±7
Abstand Datenträger appropriate data carriers					
Abstand Datenträger zu Metall in mm (a) data carrier distance to metal in mm	5	±3	±2	±3	±7
Freizeone Datenträger in mm (b) data carrier clear zone in mm	±2	±2	±2	±2	±5
Abstand Datenträger appropriate data carriers					
Abstand Datenträger zu Metall in mm (a) data carrier distance to metal in mm	9				±3
Freizeone Datenträger in mm (b) data carrier clear zone in mm					±3
Abstand Datenträger appropriate data carriers					
Abstand Datenträger zu Metall in mm (a) data carrier distance to metal in mm	12				
Freizeone Datenträger in mm (b) data carrier clear zone in mm	15				
Abstand Datenträger appropriate data carriers					
Abstand Datenträger zu Metall in mm (a) data carrier distance to metal in mm	16				
Freizeone Datenträger in mm (b) data carrier clear zone in mm	18				
Abstand Datenträger appropriate data carriers					
Abstand Datenträger zu Metall in mm (a) data carrier distance to metal in mm	20				
Freizeone Datenträger in mm (b) data carrier clear zone in mm	22				
Abstand Datenträger appropriate data carriers					
Abstand Datenträger zu Metall in mm (a) data carrier distance to metal in mm	25				
Freizeone Datenträger in mm (b) data carrier clear zone in mm	30				
Abstand Datenträger appropriate data carriers					
Abstand Datenträger zu Metall in mm (a) data carrier distance to metal in mm	32				
Freizeone Datenträger in mm (b) data carrier clear zone in mm	35				
Abstand Datenträger appropriate data carriers					
Abstand Datenträger zu Metall in mm (a) data carrier distance to metal in mm	40				
Freizeone Datenträger in mm (b) data carrier clear zone in mm	43				
Abstand Datenträger appropriate data carriers					
Abstand Datenträger zu Metall in mm (a) data carrier distance to metal in mm	45				
Freizeone Datenträger in mm (b) data carrier clear zone in mm	50				
Abstand Datenträger appropriate data carriers					
Abstand Datenträger zu Metall in mm (a) data carrier distance to metal in mm	52				
Freizeone Datenträger in mm (b) data carrier clear zone in mm	60				
Abstand Datenträger appropriate data carriers					
Abstand Datenträger zu Metall in mm (a) data carrier distance to metal in mm	65				
Freizeone Datenträger in mm (b) data carrier clear zone in mm	70				



BIS M-402-007-002-00-S115
BIS00EN

BIS M-402-xxx-002-

	BIS M-101-01/L	BIS M-111-02/L			
passende Datenträger Appropriate data carriers					
Abstand Datenträger zu Metall in mm (a) Data carrier distance to metal in mm	>25	>25			
Freizone Datenträger in mm (b) Data carrier clear zone in mm	>100	>100			
Schreibabstand in mm Write distance in mm	0-14	0-18			
Leseabstand in mm Read distance in mm	0-14	0-18			
Versatz in mm bei Abstand von	0 ±10	±12			
	5 ±10	±12			
	10 ±9	±11			
	14 ±5	±10			
	15	±10			
	18	±5			
	20				
	25				
	30				
	35				
	40				
	45				
	50				
	55				
	60				
	65				
	70				
	75				
	80				
	85				
	90				



BIS M-402-007-002-00-S115
BIS00EN

BIS M-402-xxx-002-

	BIS M-130-03/L	BIS M-130-07/L	BIS M-132-03/L- HT	BIS M-143-02/A- xx
passende Datenträger Appropriate data carriers				
Abstand Datenträger zu Metall in mm (a) Data carrier distance to metal in mm	>25	>25	>25	>0
Freizone Datenträger in mm (b) Data carrier clear zone in mm	>100	>100	>100	>100
Schreibabstand in mm Write distance in mm	0-9	0-9	0-20	0-9
Leseabstand in mm Read distance in mm	0-9	0-9	0-20	0-9
Versatz in mm bei Abstand von	±6	±6	±12	±6
	±6	±6	±12	±6
	±5	±5	±12	±6
	±1	±1	±12	±4
Offset in mm at distance	10	10	±12	
	15	15	±10	
	17	17	±10	
	20	20	±4	
	22	22		
	25	25		
	30	30		
	32	32		
	35	35		
	40	40		
	43	43		
	45	45		
	50	50		
	52	52		
	60	60		
	65	65		
	70	70		

